

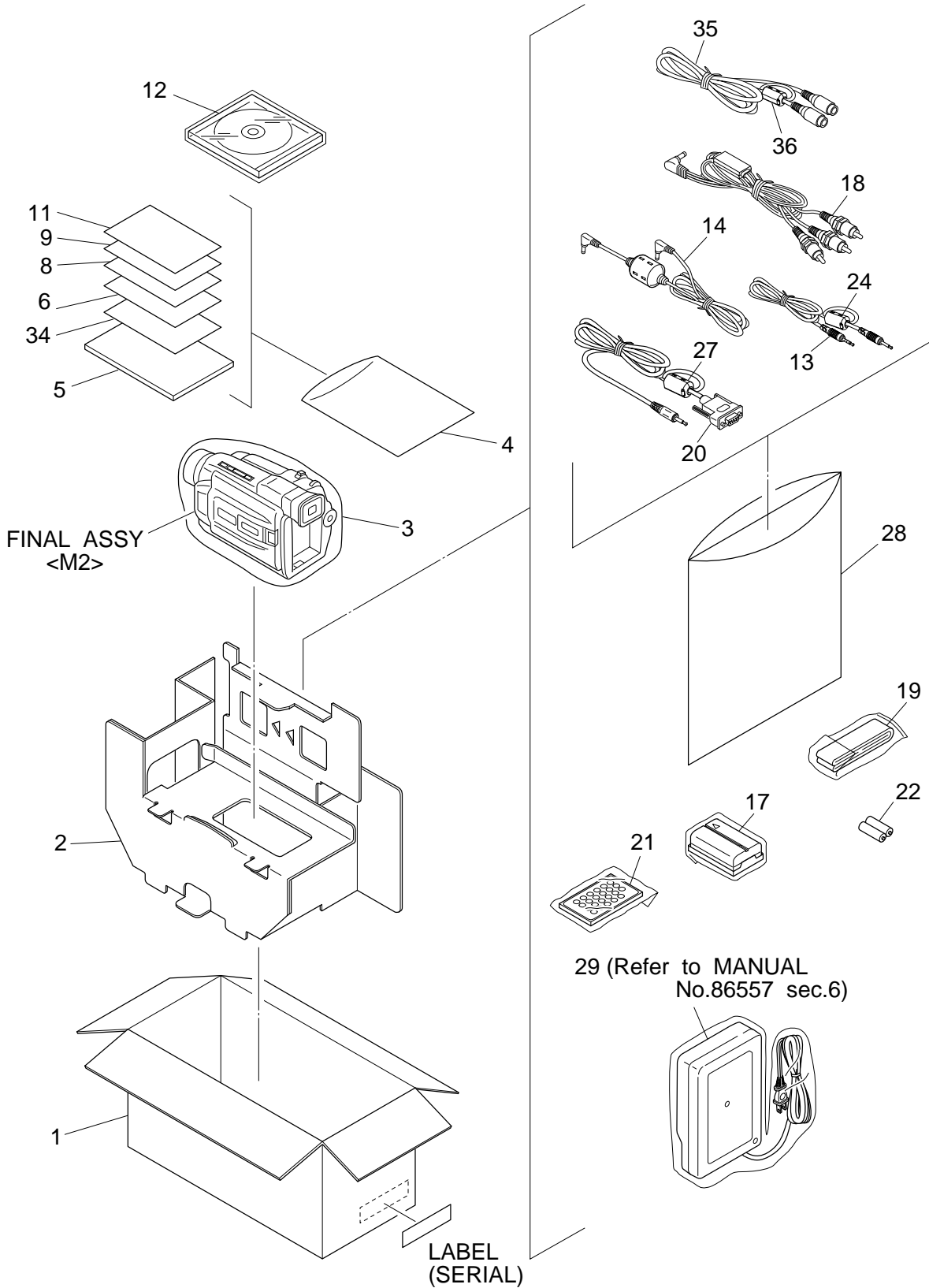
SECTION 5 PARTS LIST

SAFETY PRECAUTION

Parts identified by the \triangle symbol are critical for safety. Replace only with specified part numbers.

5.1 PACKING ASSEMBLY <M1>

The instruction manual to be provided with this product will differ according to the destination.



Δ REF No. PART No. PART NAME, DESCRIPTION

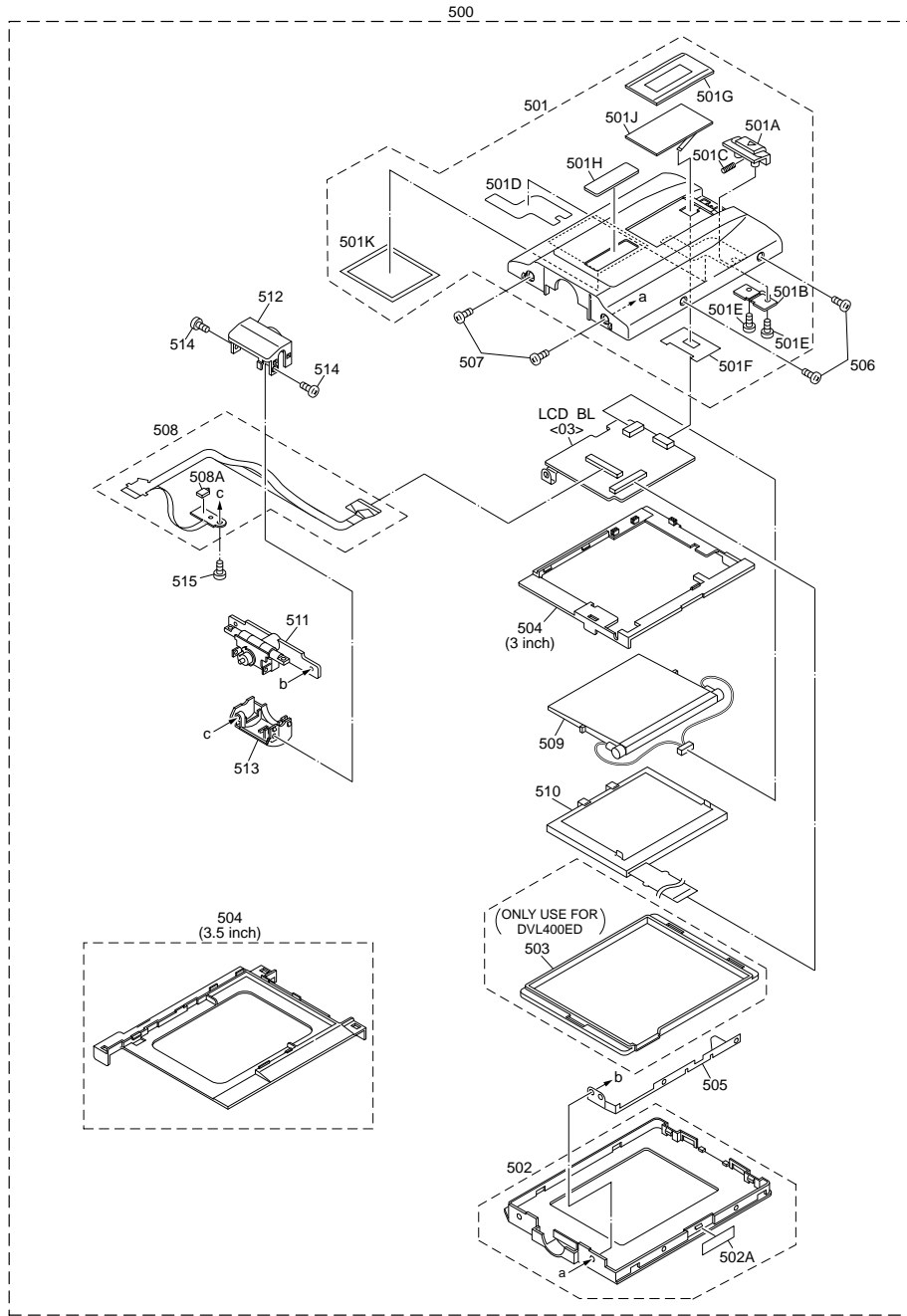
PACKING ASSEMBLY <M1>

- 1 LY31631-015A PACKING CASE,A
- LY31631-018A PACKING CASE,C
- LY31631-027A PACKING CASE,B
- 2 LY31632-001A CUSHION
- 3 LY30023-008A POLY BAG
- 4 QPA02003006 POLY BAG
- Δ 5 LYT0595-001A IB(EN),A,B
- Δ LYT0595-002A IB(CH),A,B
- Δ LYT0595-003A IB(RU),A,B
- Δ LYT0596-001A IB(EN),C
- Δ LYT0596-002A IB(CH),C
- Δ LYT0596-003A IB(RU),C
- 6 LYT0598-001A IB(SOFT.SETUP),A,B
- LYT0599-001A IB(SOFT.SETUP),C
- 8 LYT0378-003A SHEET(AGREMENT)
- 9 LYT0162-021A ACC.LEAFLET
- 11 BT-59011-2 WARRANTY CARD
- 12 LY31133-009A CD ROM ASSY,A,B
- LY31133-011A CD ROM ASSY,C
- 13 QAM0214-001 RM CABLE,EDITING CABLE
- 14 QAM0170-001 DC CORD
- Δ 17 LY31587-001A BATTERY PACK,BN-V408U
- 18 QAM0212-001 CABLE ASSY,AUDIO/VIDEO CABLE
- 19 LY20186-001A SHOULDER STRAP
- 20 QAM0084-001 PC CONNECTION CABLE
- 21 LY20543-002A REMOTE CONTROL UNIT
- 22 - BATTERY,AAA(R03),X2
- 24 QQR0491-002 CORE FILTER
- 27 QQR0491-002 CORE FILTER
- 28 QPGA017-03005 POLY BAG
- Δ 29 LY20591-005B AC POWER ADAPTER CHARGER,AA-V40ED
- 34 BT-59012-1 GUARANTY CARD
- 35 QAM0004-003 S CABLE,S-VIDEO CABLE
- 36 QQR0491-002 CORE FILTER

MODEL	MARK
GR-DVL400ED	A
GR-DVL600ED	B
GR-DVL707ED	C

- INSTRUCTIONS**
- EN ENGLISH
- CH CHINESE
- RU RUSSIAN

5.2 MONITOR ASSEMBLY <M5>



#	△ REF No.	PART No.	PART NAME, DESCRIPTION	#	△ REF No.	PART No.	PART NAME, DESCRIPTION

MONITOR ASSEMBLY <M5>							
△	500	LYH20135-011A	MONITOR ASSY,C	502	LY20598-001A	MONITOR CASE ASSY,A	
△		LYH20135-014A	MONITOR ASSY,B	502A	LY20598-002A	MONITOR CASE ASSY,B,C	
△		LYH20135-015A	MONITOR ASSY,A		LY42388-001A	EARTH MON(2)	
△	501	LY20565-009B	MONITOR COVER ASSY,A	503	LY20566-001B	HOLDER(3LCD),A	
△		LY20565-010B	MONITOR COVER ASSY,B	504	LY20567-001A	HOLDER(3PWB),A	
△		LY20565-011B	MONITOR COVER ASSY,C		LY20568-001A	HOLDER(3.5PWB),B,C	
	501A	LY31620-001A	KNOB(LOCK 1)	505	LY31622-001A	BRACKET(EARTH)	
	501B	LY42180-001A	KNOB(LOCK 2)	506	QYSPST1730R	SCREW,X2	
	501C	LY30002-044A	COMPRES. SPRING	507	QYSLSP2040D	SCREW,X2	
	501D	LY42386-001A	EARTH MON	508	LY31743-001A	MONI.FPC ASSY	
	501E	LY30018-011A	SPECIAL SCREW,X2	508A	NSW0095-001X	DETECT SWITCH	
	501F	LY42368-001A	SHEET(MON)	509	QLL0080-001	BACK LIGHT,A	
	501G	LY31621-001A	WINDOW,A,B		QLL0081-001	BACK LIGHT,B,C	
		LY31621-003A	WINDOW,C	510	QLD0096-002	LCD MODULE,B,C	
	501H	LY42162-001A	MARK		QLD0118-001	LCD MODULE,A	
	501J	LY42193-001A	EL(WINDOW)	511	LY31236-003A	HINGE ASSY	
	501K	LY40559-001A	SHIELD SHEET	512	LY31624-001A	HINGE COVER(1)	
				513	LY31625-001A	HINGE COVER(2)	
				514	LY30018-058A	SPECIAL SCREW,X2	
				515	LY30018-023A	SPECIAL SCREW	